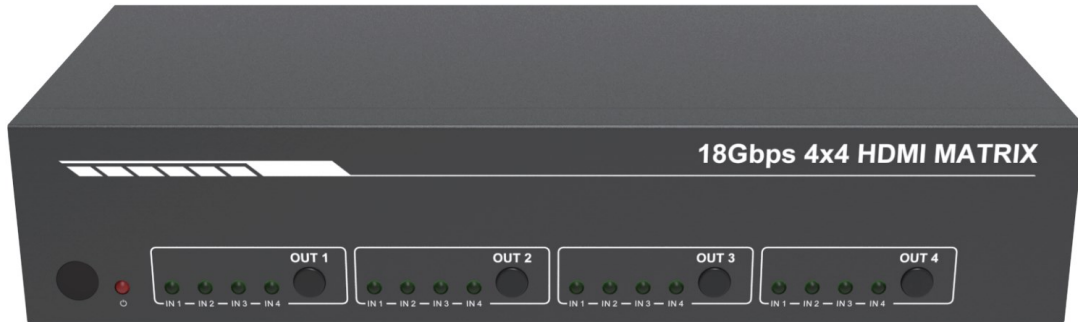


4K 18G HDMI MATRIX SWITCH 4 X 4

BRAND: PRITECH

PART NO: PA-HMX-0404



OVERVIEW .

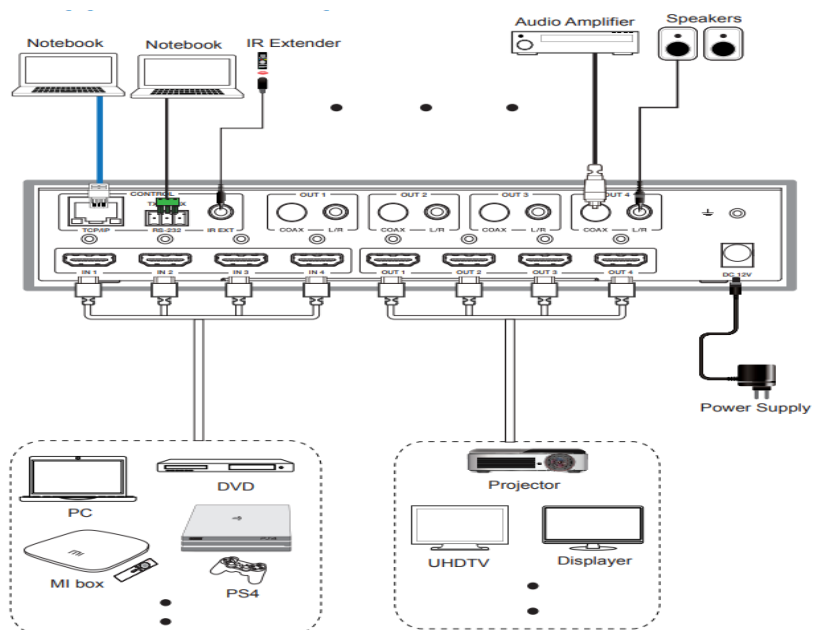
4 HDMI video and audio signals from many video sources to multiple displays.

Configure and control the switch through front panel buttons, Ethernet, IR remote control, or RS232.

Supports Ultra-HD 4Kx2K resolutions (4096x2160 and HDTV resolutions to 1080p).

- ❖ Resolutions to Ultra-HD 4Kx2K 60Hz 4:4:4
- ❖ 18Gbps bandwidth
- ❖ HDMI 2.0, HDCP 2.2
- ❖ IR, RS232, Ethernet control

DIAGRAM :



SPECIFICATIONS:

TECHNICAL

HDMI Compliance	HDMI 2.0A
HDCP Compliance	HDCP 2.2
Video Bandwidth	18 Gbps
Video Resolutions	up to 4K2K@60Hz, and 1080P @120Hz AND 1080P 3D@60Hz
Colour Space	RGB, YCbCr 4:4:4, YCbCr 4:2:2
Colour Depth	10-bit, 12-bit
Audio Formats	PCM 2CH, LPCM 5.1, LPCM 7.1, Dolby Digital, DTS 5.1, Dolby Digital+, Dolby TrueHD, DTS-HD Master Audio, Dolby Atmos, DTS:X
ESD Protection	Human body model — ±8kV (air-gap discharge) & ±4kV (contact discharge)

CONNECTIONS

Inputs	4x HDMI Type A [19-pin female] Compatible with computers and UHD video sources
Outputs	4x HDMI Type A [19-pin female] Supported resolutions 4Kx2K (4096x2160 and 3840x2160) @24Hz/30Hz/60Hz YUV 4:4:4

MECHANICAL

Housing	Metal Enclosure
Dimensions	216mm [W] x 129mm [D] x 34mm [H]
Net Weight	1820g
Power Supply	Input: AC100 - 240V 50/60Hz Output: DC 12V/2.0A (US/EU standards, CE/FCC/UL certified)
Power Consumption (Max)	14W
Operation Temperature	32 - 104°F / 0 - 40°C
Storage temperature	14 - 122°F / 10 - 50°C
Relative Humidity	05- 90% RH (no condensation)
Warranty	24 Months



PRITECH AUTOMATION PRIVATE LIMITED

PHONE : +91 79 27702711, 09714854011

EMAIL : sales@pritechautomation.com

WEBSITE : www.pritechautomation.com

