



Room monitoring unit VT325t

Monitoring your infrastructure 24/7

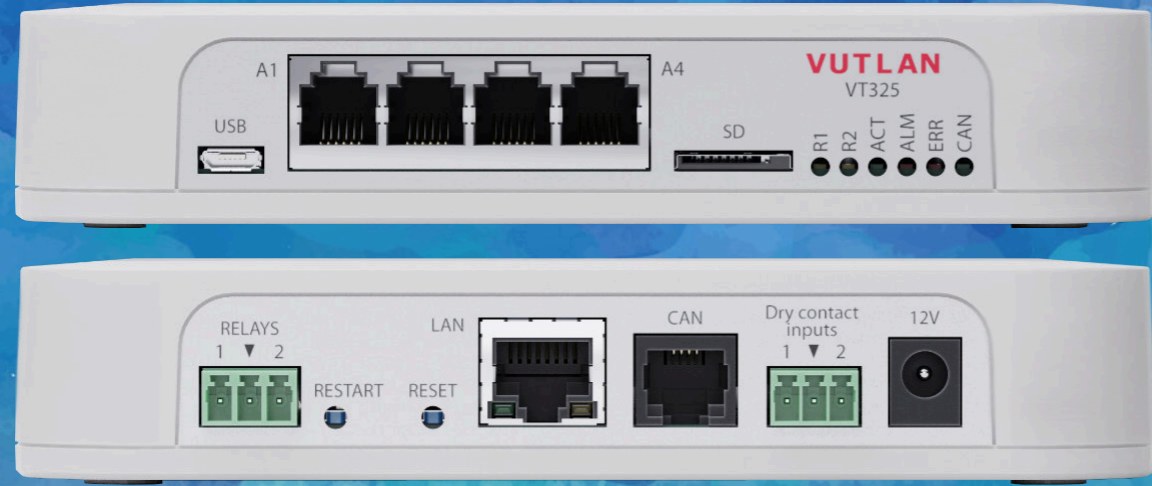
VUTLAN

VT325t / Monitoring unit

Monitor 100 sensors, 700 elements,
Redundant Power & Network

Perfect for monitoring:

- Small IT room
- Small remote site



Low-cost remote environmental monitoring unit for small IT rooms. Monitor temperature, humidity, voltage, leakage, smoke, airflow, and other parameters. Can signal an alarm, activate a siren, send an e-mail notification, or send an SNMP Trap. Can monitor up to 100 physical sensors. Can use up to 700 different elements - notifications, triggers, timers, logic schemes, sensors, and dry contacts. Has a built-in Web interface. There are built-in servers and agents like HTTP, HTTPS, SNMP, SMTP, Radius, Syslog, FTP, DHCP, and OpenVPN client.

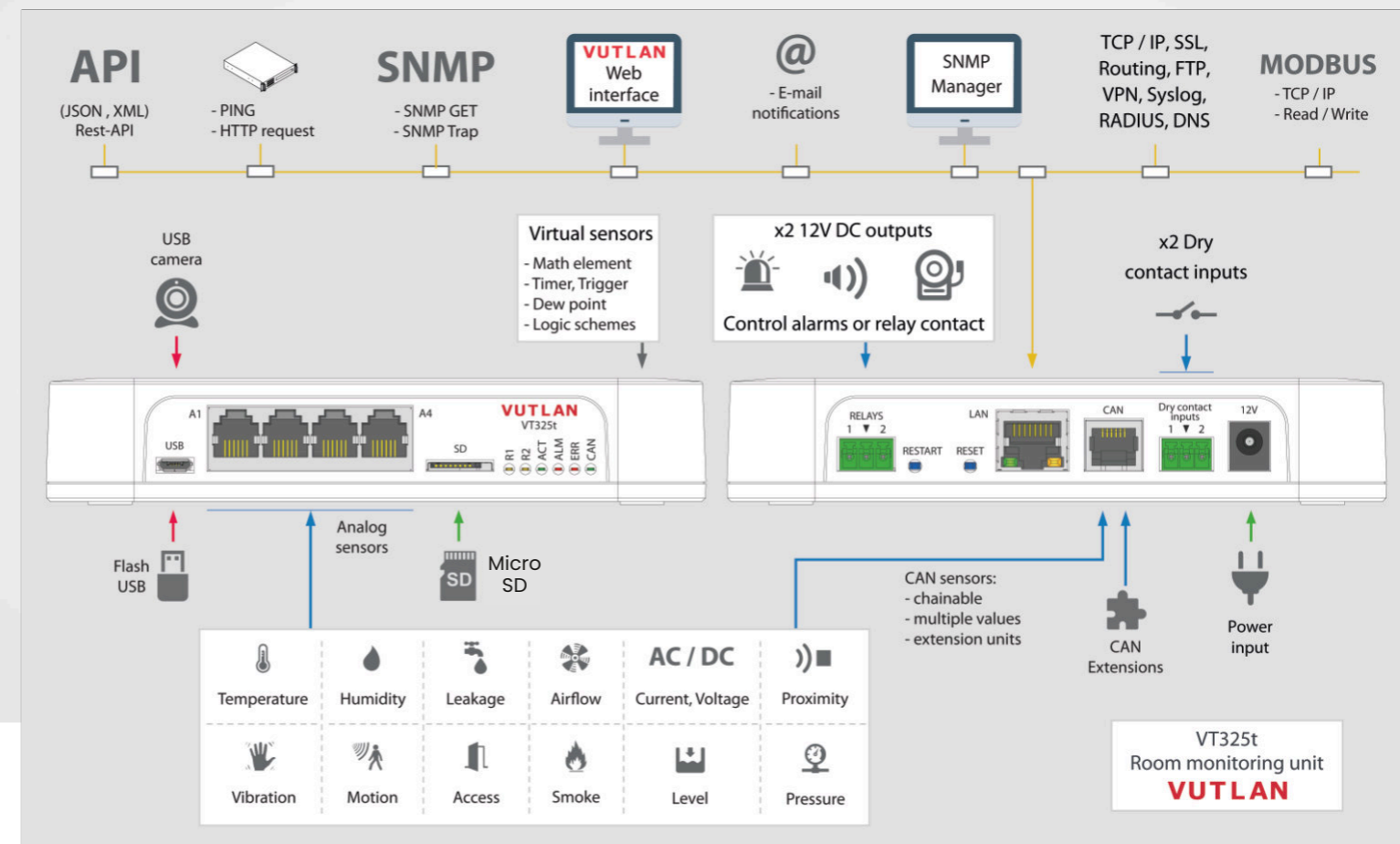
Specifications

CPU Speed / RAM / OS	2 cores, 600mHz / 128Mb / Linux v.6.2
Ethernet	10/100Mbps
USB port	For USB camera, USB flash, USB hub
Analog ports	x4 ports for sensors (extendable)
CAN port	x1 port (max. 10 sensors & extensions)
Dry Contact inputs	x2 digital inputs
Relays	x2 outputs, 12V, 0.25A each
SD card slot	Up to 64 Gb
Installation	Desktop (Wall, DIN, & 19" brackets as extensions)
Warranty	3 years
Support	On-line portal

Supports

- Centralized Monitoring & Control**
 - Responsive Web Interface
 - SNMP v1, v2c, v3
- Scalability**
 - Extension units,
 - Modbus TCP/IP, 4-20mA, 0-10V, Analog, CAN
- Improved security**
 - OpenVPN, SSL, HTTPS
 - Three-tier data access permissions with login
- Protocol support**
 - DHCP, HTTP, HTTPS, DynDNS, SMTP, RADIUS,
 - Syslog, NTP server, HTTP request
- API**
 - Application Programming Interface
 - XML, JSON
- System Usability**
 - Multi-language mobile interface
 - First-time wizard
 - Sensor graphing for single and multiple sensors
- Virtual sensors / devices / elements**
 - PING, Timers, Triggers, Logic schemes, SNMP GET
 - IP cameras, Groups, Math
- Notifications and alerts**
 - E-mail, SNMP Traps, Web-to-SMS, SMS link
- Logging**
 - SD card, USB flash, E-mail, FTP

Example connection



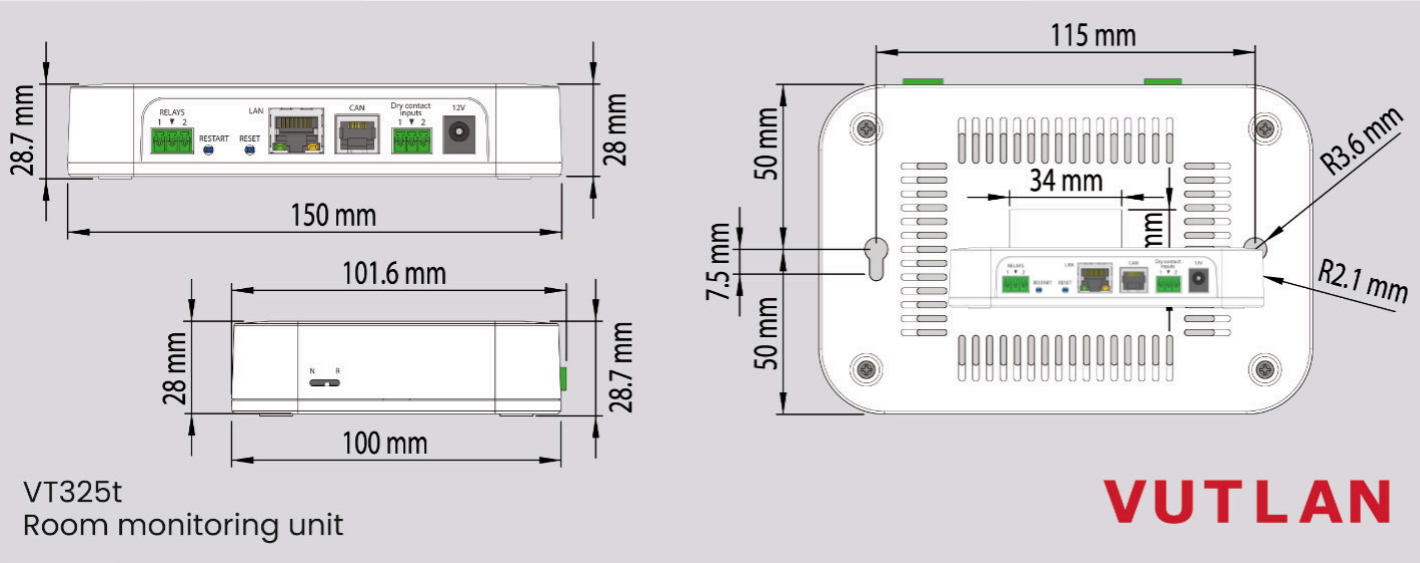
Embedded Web Interface



Monitor & Control

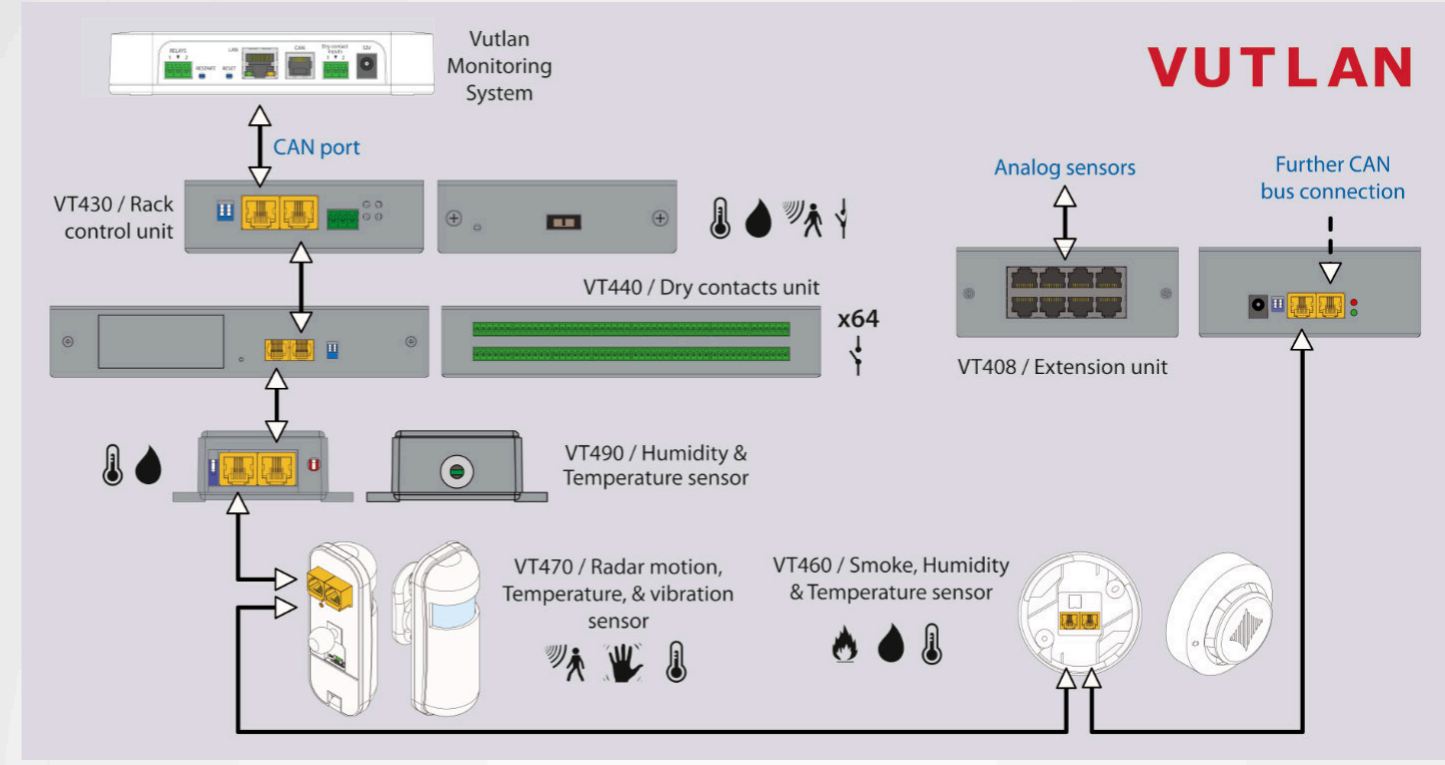
- Humidity
- Motion
- SNMP Trap, Get
- Smoke
- Modbus TCP/IP
- Relays
- Temperature
- Leakage
- Vibration
- Contacts
- Access
- Airflow
- Proximity
- Pressure
- Level
- PING
- AC / DC Power
- 4-20mA
- Alarms

VT325t dimensions

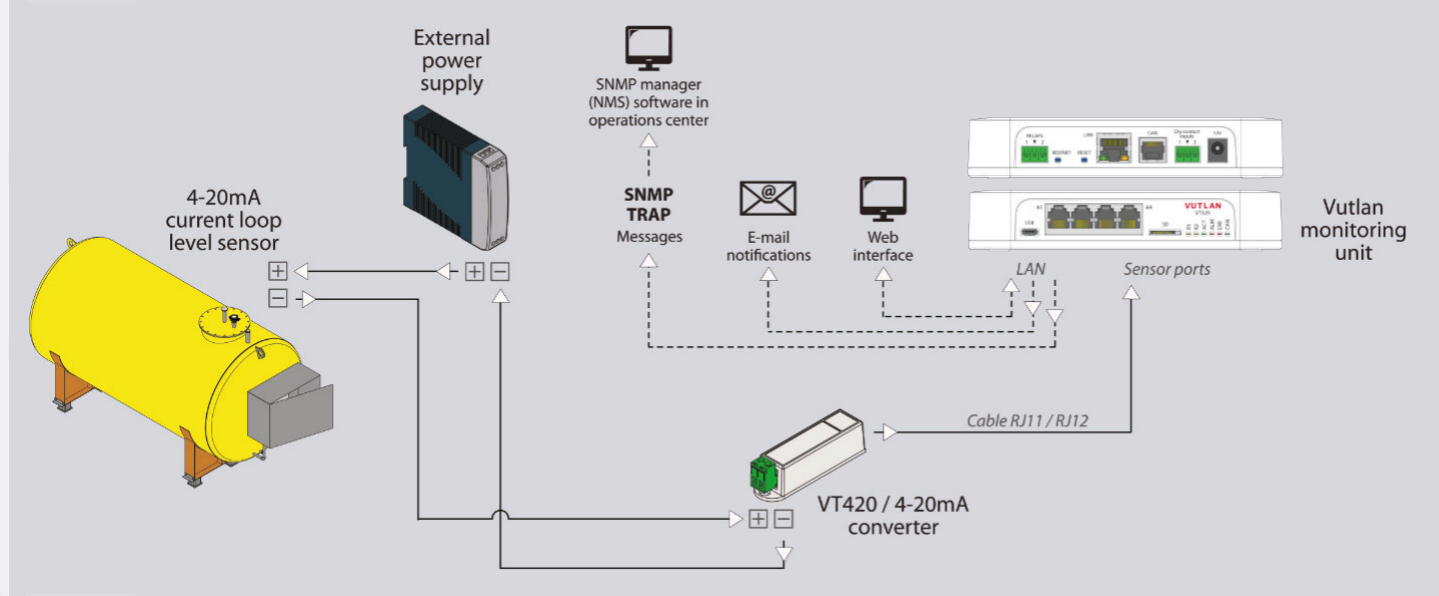


VT325t Room monitoring unit

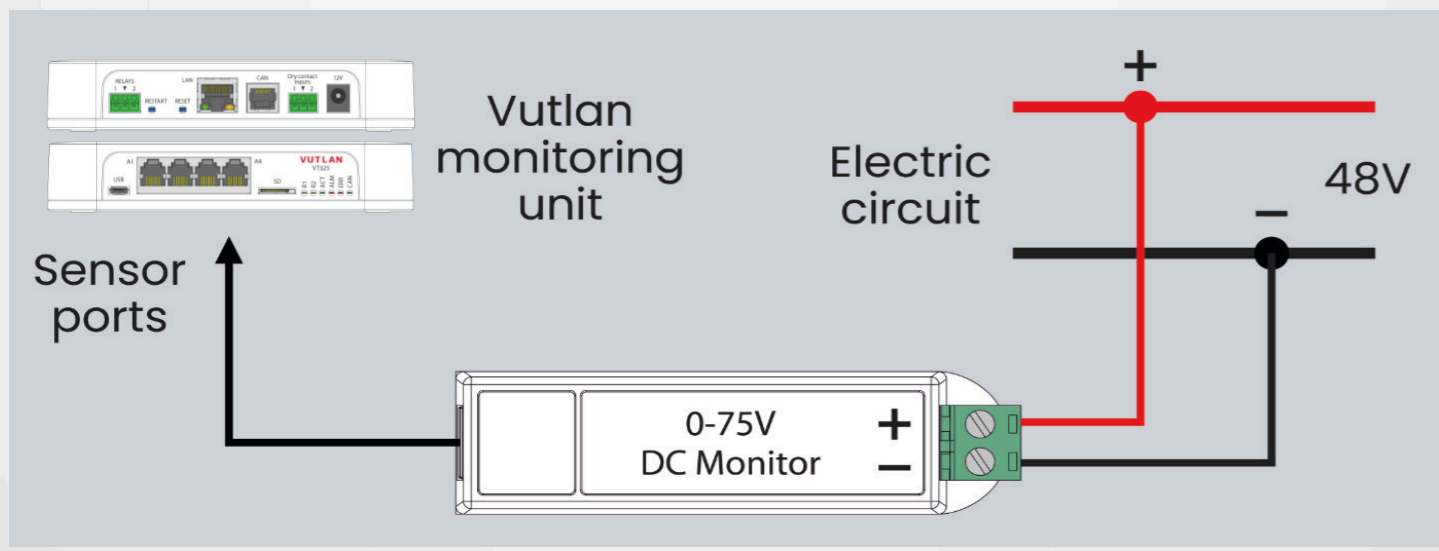
CAN sensors & CAN extensions connection



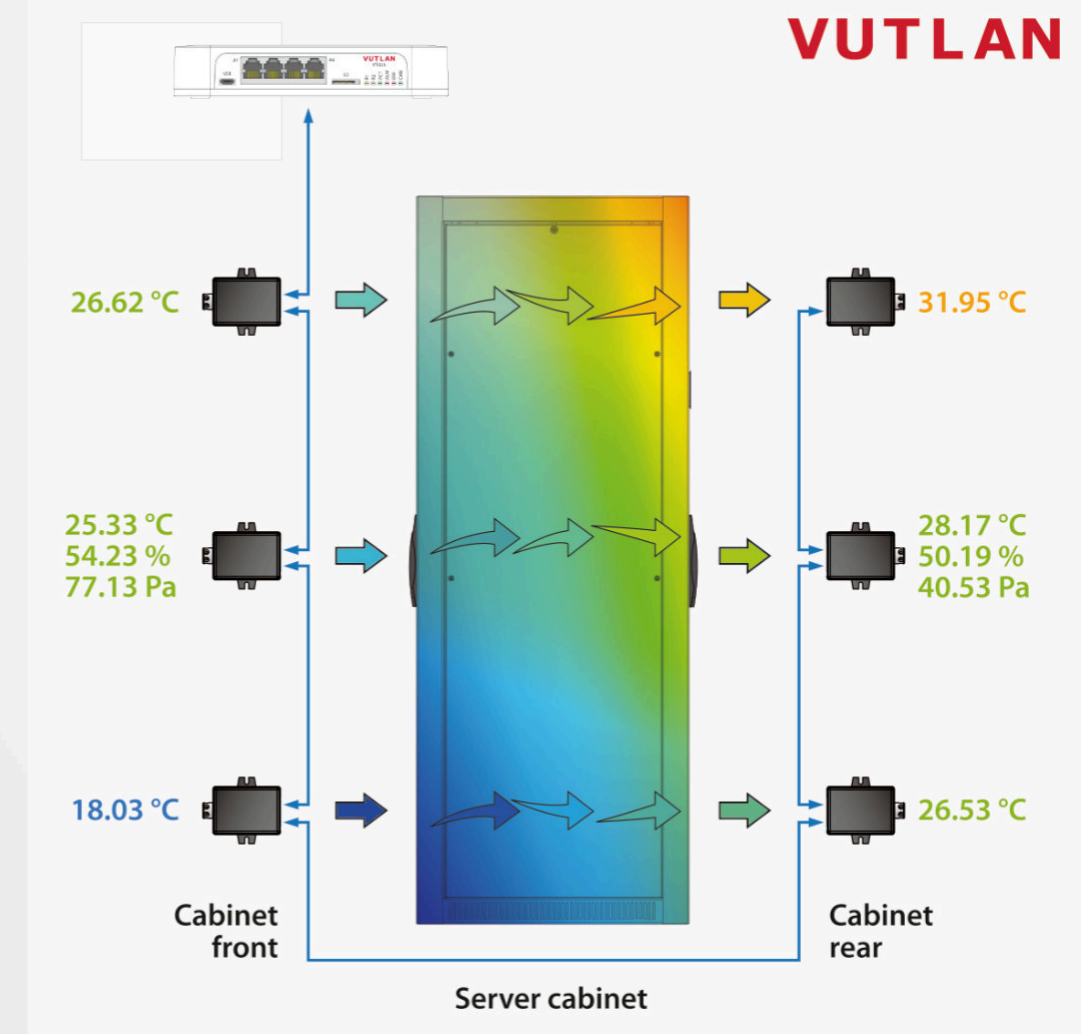
Connecting 4-20mA third party sensors (E.g. diesel level meter)



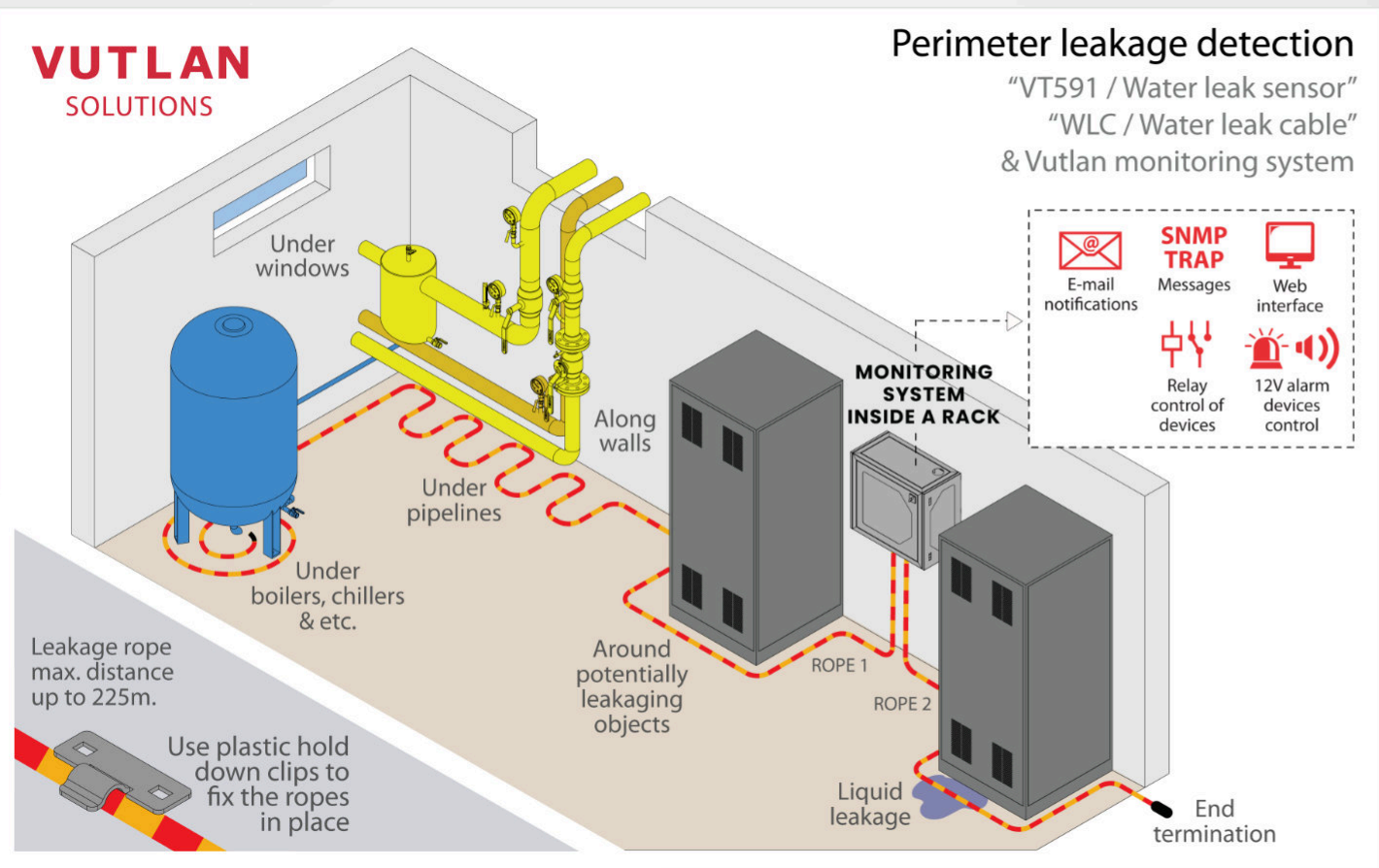
Connecting 4-20mA third party sensors (E.g. diesel level meter)



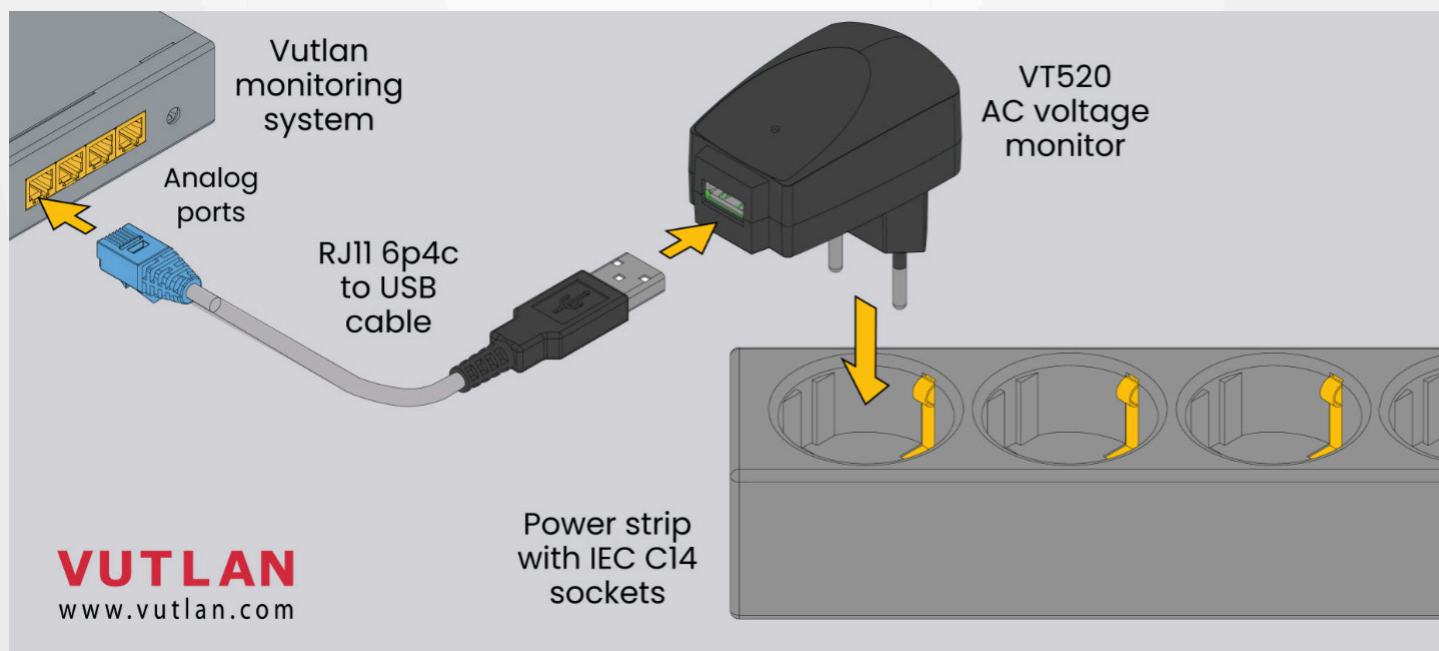
Thermal mapping data over SNMP



Leakage detection

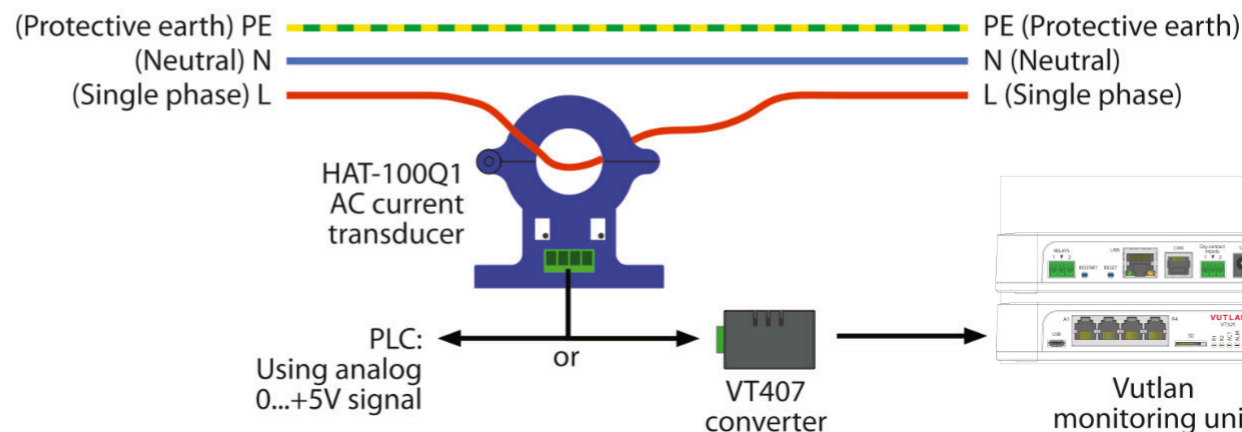


Measure AC voltage 0-246V

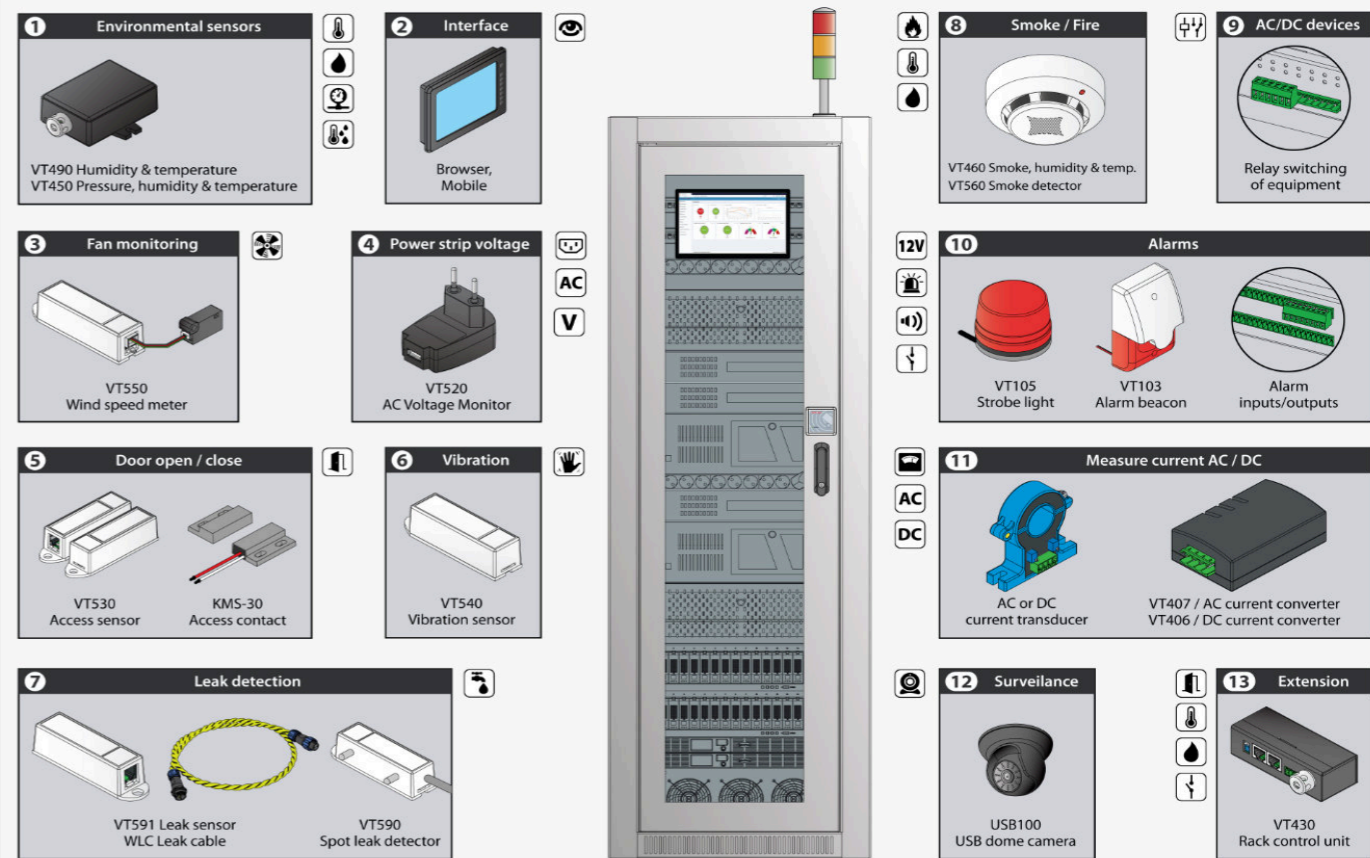


Measure current in AC power circuit

Measuring current in AC power circuit VT407 / AC HAT converter HAT-100Q1 / AC current transducer



Server Rack & Data Center monitoring



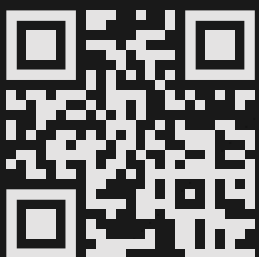


Vutlan Partner Network

Vutlan is working with Distributors,
Solution Providers and Integrators
all around the world.

65+
PARTNERS

+37
COUNTRIES



Vutlan s.r.o. (LTD)
43 ul.Svornosti,
82106, Bratislava,
Slovak Republic, EU
sales@vutlan.com
www.vutlan.com

VUTLAN