

4K 18Gbps HDMI Extender with Stereo Audio & Local HDMI Loopout via One LC Singlemode or Multimode Fiber Cable

XTENDEX®

Extend an Ultra-HD 4Kx2K 60Hz 4:4:4 HDMI display up to 6.21 miles (10 km)

- Signal transmission via single-strand singlemode or multimode LC fiber optic cable.
 - Using singlemode 9-micron cable, extend to 6.21 miles (10 kilometers).
 - Using multimode 50-micron OM3 (or better) cable, extend to 984 feet (300 meters).
- Supports Ultra-HD 4Kx2K resolutions to 3840x2160 @30/50/60Hz YUV 4:4:4, HDTV resolutions to 1080p @120Hz, and up to 1920x1200 (WUXGA).
- HDMI features supported:
 - HDMI 2.0
 - 8-bit, 10-bit, and 12-bit Deep Color
 - Dolby TrueHD, DTS-HD Master Audio, Dolby Digital, Dolby Digital+, Dolby Atmos, LPCM 2/5.1/7.1CH, DTS 5.1, and DTS:X
 - YUV 4:4:4, 4:2:2, and RGB
 - Bandwidth up to 600 Mhz (18Gbps)
 - 3D (1080p @60Hz)
 - HDR
- HDCP 2.2 and 1.4 compliant.
- Supports local and remote HDMI displays.
- Supports audio embedding and de-embedding.
 - Use the switch on the transmitter to select HDMI digital audio or analog stereo audio source.
 - ♦ Simultaneously outputs both HDMI digital audio and analog stereo audio.
 - ♦ When HDMI audio is selected, the extender passes the embedded digital audio to the HDMI connector and also converts/de-embeds the digital signal to analog stereo audio.
 - ♦ When LINE audio is selected, the extender passes the analog stereo audio to the 3.5mm analog audio connector and also converts/embeds the analog signal to digital audio.
- Bi-directional IR control from input and output locations.
- Support full-duplex RS232 up to 115200 baud.
- Plug-and-play functionality – no software needed.
- Cables can be installed in conduit prior to extender installation.
- Integrated mounting brackets for easy surface/wall mounting.

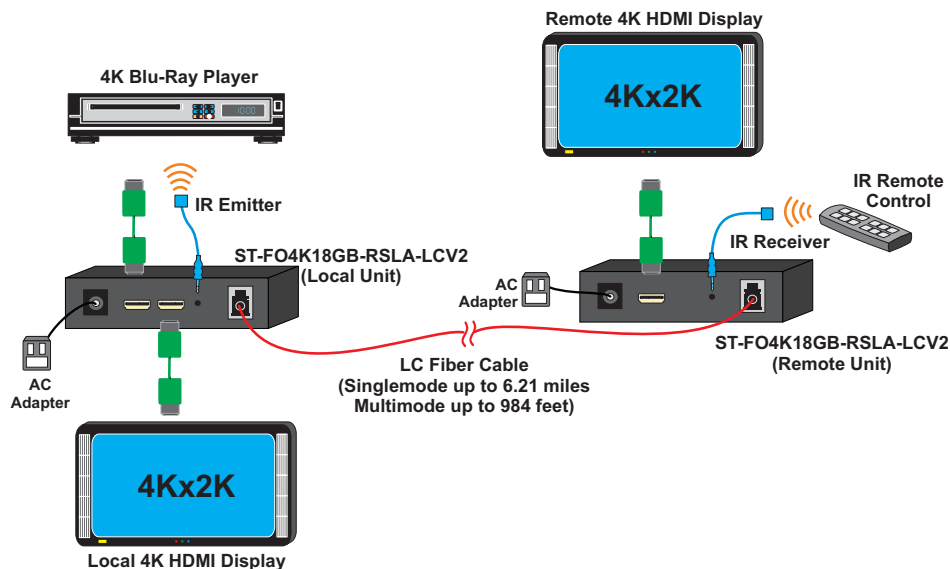


**ST-FO4K18GB-RSLA-LCV2
(Remote and Local Unit)**

- Resolutions to Ultra-HD 4Kx2K 60Hz 4:4:4
- 18Gbps Bandwidth
- HDMI 2.0
- IR, Stereo Audio, RS232 Control
- Supports Local & Remote HDMI Displays

The XTENDEX® 4K 18Gbps HDMI Extender via Fiber Optic Cable locates an Ultra-HD 4Kx2K 60Hz 4:4:4 HDMI display, IR and RS232 up to 6.21 miles (10 km) away from a 4K HDMI source using a single LC singlemode fiber optic strand and 984 feet (300 meters) using OM3 multimode fiber optic cable. Each extender consists of a transmitter that connects to an HDMI source and a local display via the HDMI loop output, and a receiver that connects to an HDMI display.

Configuration and Cable Illustration



4K 18Gbps HDMI Extender with Stereo Audio & Local HDMI Loopout via One LC Singlemode or Multimode Fiber Cable

XTENDEX®

Extend an Ultra-HD 4Kx2K 60Hz 4:4:4 HDMI display up to 6.21 miles (10 km)

Specifications

Local Unit

- One female HDMI connector for source.
- One female HDMI connector for local display.
- Two female 3.5mm ports for connecting an IR emitter and receiver (included).
 - IR frequency: 20KHz to 60KHz
- One female 3.5mm port for stereo audio input.
- 3-pin screw terminal for RS232.
 - Support full-duplex RS232 up to 115200 baud.
- One simplex female LC fiber optic port for sending video/audio, IR, and RS232 signals.
- Female USB Micro Type B connector for firmware updates.
- Supports Ultra-HD 4Kx2K resolutions to 3840x2160 and 4096x2160 @30/50/60Hz YUV 4:4:4, HDTV resolutions to 1080p @120Hz, and up to 1920x1200 (WUXGA).
- Supports HDCP 2.2 and 1.4

Remote Unit

- One female HDMI connector for display.
- Two female 3.5mm ports for connecting an IR emitter and receiver (included).
 - IR frequency: 20KHz to 60KHz
- One female 3.5mm port for stereo audio output.
- 3-pin screw terminal for RS232.
 - Support full-duplex RS232 up to 115200 baud.
- One simplex female LC fiber optic port for sending video/audio, IR, and RS232 signals.
- Female USB Micro Type B connector for firmware updates.
- Supports Ultra-HD 4Kx2K resolutions to 3840x2160 and 4096x2160 @30/50/60Hz YUV 4:4:4, HDTV resolutions to 1080p @120Hz, and up to 1920x1200 (WUXGA).
- Supports HDCP 2.2 and 1.4
- Max data rate: 18Gbps

Power

- Local and remote unit: 100 to 240 VAC at 50 or 60Hz via AC adapter.
- Input voltage: 5VDC, 1A
- Power consumption:
 - Local unit: 3.75W
 - Remote unit: 3W

Environmental

- Operating temperature: 32 to 104°F (0 to 40°C).
- Storage temperature: -4 to 140°F (-20 to 60°C).
- Operating and storage relative humidity: 20 to 90% non-condensing RH.

Dimensions

- WxDxH (in):6.32x3.20x0.73 (161x81x18 mm)

Regulatory Approvals

- CE, FCC, RoHS

Warranty

- Two years

Max Distance

- 6.21 miles (10 km) over singlemode 9/125-micron LC simplex fiber optic cable.
- 984 feet (300 meters) over multimode 50/125-micron OM3 (or better) LC simplex fiber optic cable.

Cables

- Interface cables between the video source/display and the transmitter/receiver are required for proper operation.
 - Supports cable lengths to 20 feet.
 - Cables longer than 20 feet can be used provided they have a built-in video equalizer (also known as “active HDMI cables”).
- Use HD-xx-MM cable to connect an HDMI source or display (not included).
- Use DVI-HD-xx-MM cable to connect a DVI source or display (not included).
- Use HD-ACT-xx-MM 4K HDMI Active Cables to connect an HDMI source or display up to 100 feet.
 - HD-ACT-20/25/30/40/50/60-MM supports resolutions to 4K@60Hz (18 Gbps).
 - HD-ACT-75/100-MM supports resolutions to 4K@30Hz (10.2 Gbps).
- Use a simplex LC singlemode 9/125-micron fiber optic cable to extend the receiver from the transmitter up to 6.21 miles (10 km).
- Use a simplex LC multimode 50/125-micron OM3 (or better) fiber optic cable to extend the receiver from the transmitter up to 984 feet (300 meters).
- Cables not included.

Package Includes

- One transmitter unit
- One receiver unit
- One fiber transmitter module
- One fiber receiver module
- Two IR emitters
- Two IR receivers
- Two power supplies
 - US, UK, EU, AUS power supply plugs included.
- Two screw terminal pairs for RS232