

4K DisplayPort USB KVM Extender over HDBase-T with RS232

XTENDEX®

Extend Ultra-HD 4Kx2K 30Hz 4:4:4 DisplayPort display, audio, 4 USB devices, and RS232 up to 328 feet away from the source using HDBase-T technology

- Transmits an uncompressed high speed DisplayPort signal over one CAT6/6a/7 cable.
- Supports Ultra-HD 4Kx2K resolutions to 3840x2160 @30Hz YUV 4:4:4, and HDTV resolutions to 1080p @60Hz.
 - Extend 4Kx2K up to 328 (100 meters) feet over a CAT6/6a/7 cable.
 - Extend 1080p up to 492 (150 meters) feet over CAT6/6a/7 cable.
- DisplayPort features supported:
 - DisplayPort 1.2a
 - 48-bit Color
 - RGB, YCbCr 4:4:4
 - LPCM, Dolby TrueHD, and DTS-HD Master Audio
 - 3D
- HDCP compliant.
- Four USB 2.0 ports support fully transparent USB connections.
 - Extend USB devices such as a keyboard, mouse, game controller, USB flash drive, touch screen monitor, whiteboard, etc.
 - Compliant with USB 2.0 (low/full/high speed) standards.
- Supports full-duplex RS232 at 115200 baud.
- Integrated mounting brackets for easy surface/wall mounting.

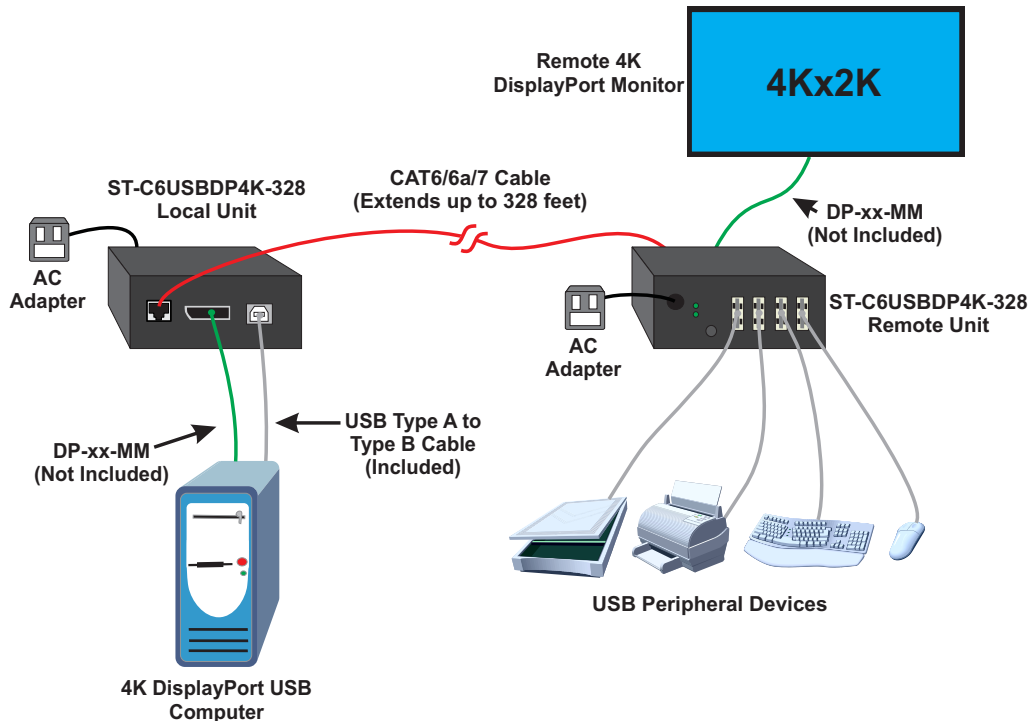


**ST-C6USBDP4K-328
(Local & Remote Unit)**

- **Extend Ultra-HD 4Kx2K to 328 feet & 1080p to 492 feet**
- **Transparent USB 2.0 Extension**
- **RS232**

The XTENDEX® 4K DisplayPort USB KVM Extender over HDBase-T transmits uncompressed digital Ultra-HD 4Kx2K 30Hz 4:4:4 DisplayPort signal, transparent USB, and RS232 up to 328 feet over a single CATx cable using HDBase-T technology. Each extender consists of a local unit that connects to a computer, and a remote unit that connects to a UHD DisplayPort display and four USB 2.0 devices.

Configuration and Cable Illustrations



4K DisplayPort USB KVM Extender over HDBase-T with RS232

XTENDEX®

Extend Ultra-HD 4Kx2K 30Hz 4:4:4 DisplayPort display, audio, 4 USB devices, and RS232 up to 328 feet away from the source using HDBase-T technology

Specifications

Local Unit

- Compatible with a USB computer or UHD video source with DisplayPort output.
- Multiplatform support: Windows XP/7/10, Linux, and MAC OS 10.
- One female DisplayPort connector.
- One female USB Type B connector.
- One female 3.5 mm port for RS232 connection.
- One female RJ45 port for sending/receiving UHD video, audio, USB, and RS232 signals.
- HDCP compliant.

Remote Unit

- One female DisplayPort connector for display.
- Four female USB Type A connectors.
 - Transparent data extension.
 - Supports high-speed (480 Mbps), full-speed (12 Mbps), or low-speed (1.5 Mbps) USB devices – keyboard, mouse, game controller, USB flash drive, touch screen monitor, whiteboard, etc.
- One female 3.5 mm port for RS232 connection.
 - Support full-duplex RS232 up to 115200 baud.
- One female RJ45 port for sending/receiving UHD video, audio, USB, and RS232 signals.
- Supported video resolutions:
 - Ultra-HD 4Kx2K 60Hz 4:4:4 resolutions (4096x2160 and 3840x2160 @30Hz)
 - HDTV resolutions to 1080p @60Hz
- Supports embedded digital audio through DisplayPort compatible displays or audio receivers.
 - HDCP compliant.
- Dimensions
 - WxDxH (in): 4.31x4.31x1.18 (109x109x30 mm)

Power

- Local unit:
 - Input: 100 to 240 VAC at 50 or 60 Hz via AC adapter (US AC adapters included).
 - ♦ Optional universal power plug adapters available (not included)
 - Output: 5VDC, 2A
- Remote unit:
 - Input: 100 to 240 VAC at 50 or 60 Hz via AC adapter (US AC adapters included).
 - ♦ Optional universal power plug adapters available (not included)
 - Output: 5VDC, 4A
 - The current passing through each USB port cannot exceed 0.5A

Environmental

- Operating temperature: 14 to 113°F (-10 to 45°C).
- Storage temperature: -22 to 167°F (-30 to 75°C).
- Operating/storage relative humidity: up to 95% non-condensing RH.

Regulatory Approvals

- CE, RoHS

Warranty

- Two years

Max Distance

- Extend 4Kx2K up to 328 feet (100 meters) over CAT6/6a/7.
- Extend 1080p up to 492 feet (150 meters) over CAT6/6a/7.

Cables

- Interface cables between the source/display and the transmitter/receiver are required for proper operation.
- Use DP-xx-MM to connect a DisplayPort source or display up to 15 feet (not included).
- Use DP4K21GB-FO-xxM-MM to connect a DisplayPort source or display up to 100 meters (not included).
- Use CAT6/6a/7 solid straight through cables for TIA/EIA 568B wiring terminated with standard RJ45 connectors (not included).
- One male USB Type A to male USB Type B interface cable included.
- One male 3.5mm to female DB9 RS232 cable included.
- One male 3.5mm to male DB9 RS232 cable included.